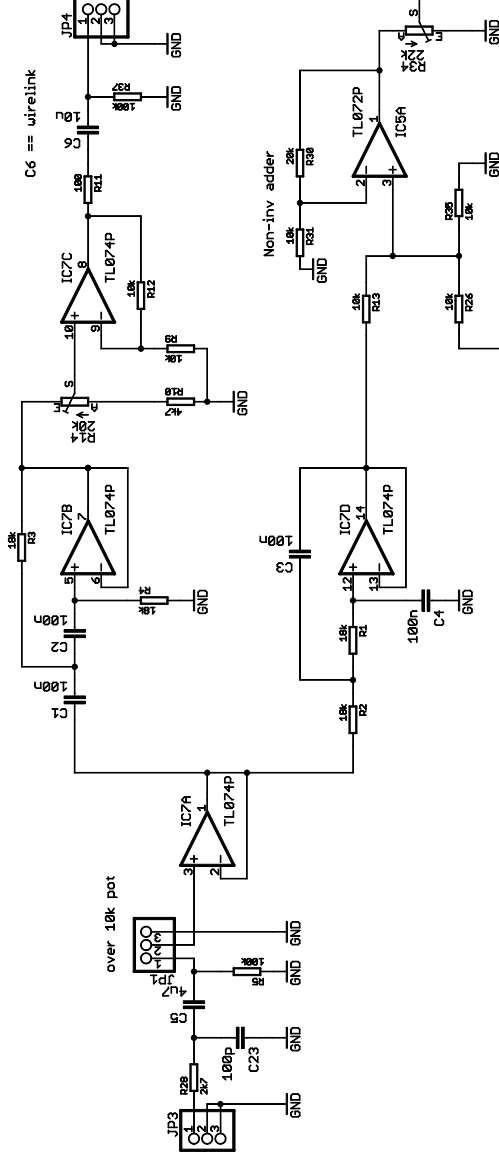
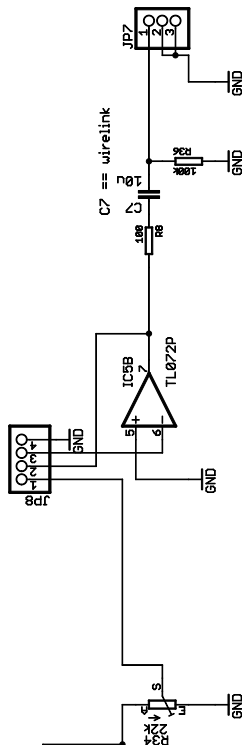


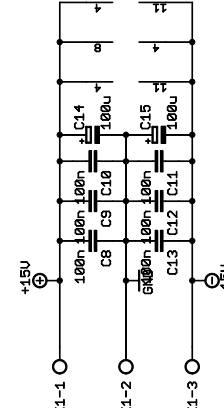
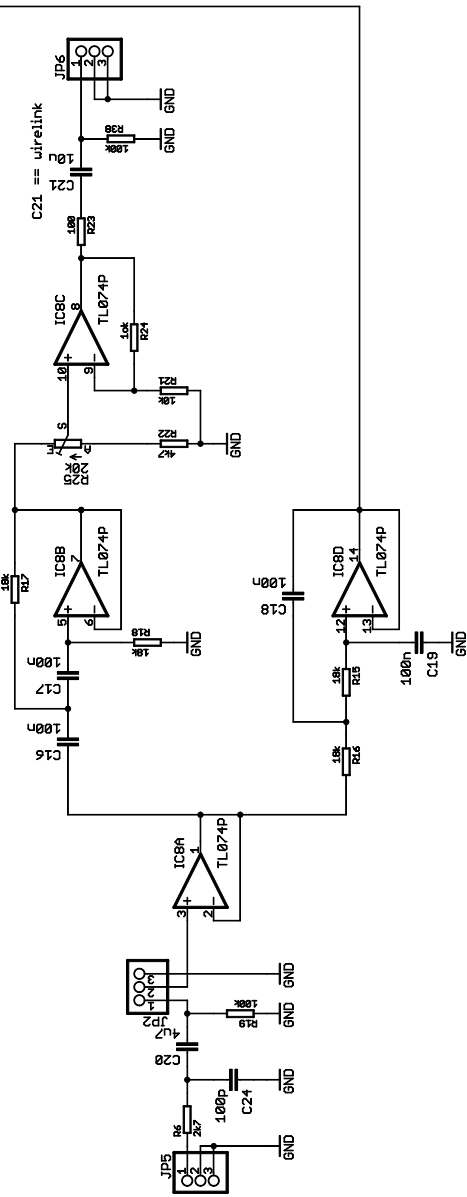
2nd order LR filters, $f_c=90\text{Hz}$



Linkwitz transform on separate PCB



2nd order LR filters, $f_c=90\text{Hz}$



- H1 MOUNT-HOLE3.2
- H2 MOUNT-HOLE3.2
- H3 MOUNT-HOLE3.2
- H4 MOUNT-HOLE3.2

12dB/oct L-R x-over u/ Sub-output and Linkwitz Transform
 Pekka Lehtonen 2007, pekka@kotipolttoinen.com
 TITLE: xover12db_sub
 Document Number:
 Date: 2/12/2007 12:17:08
 Sheet: 1/1