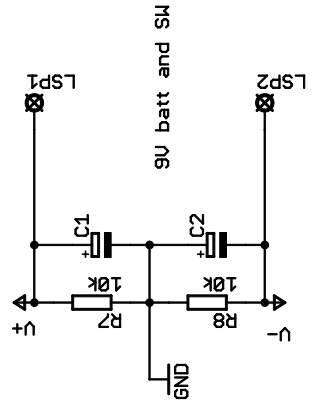
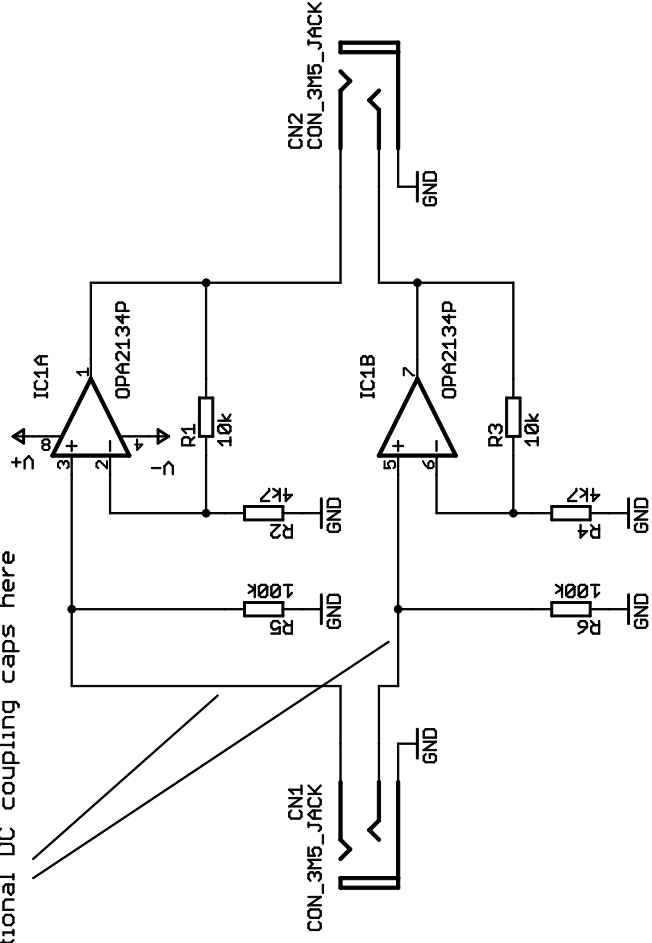


Insert optional DC coupling caps here



A Simple Headphone Amplifier

TITLE: simpleheadamp

Document Number: Pekka Lehtonen 2006

REV:

Date: 11/16/2006 09:02:55

Sheet: 1/1